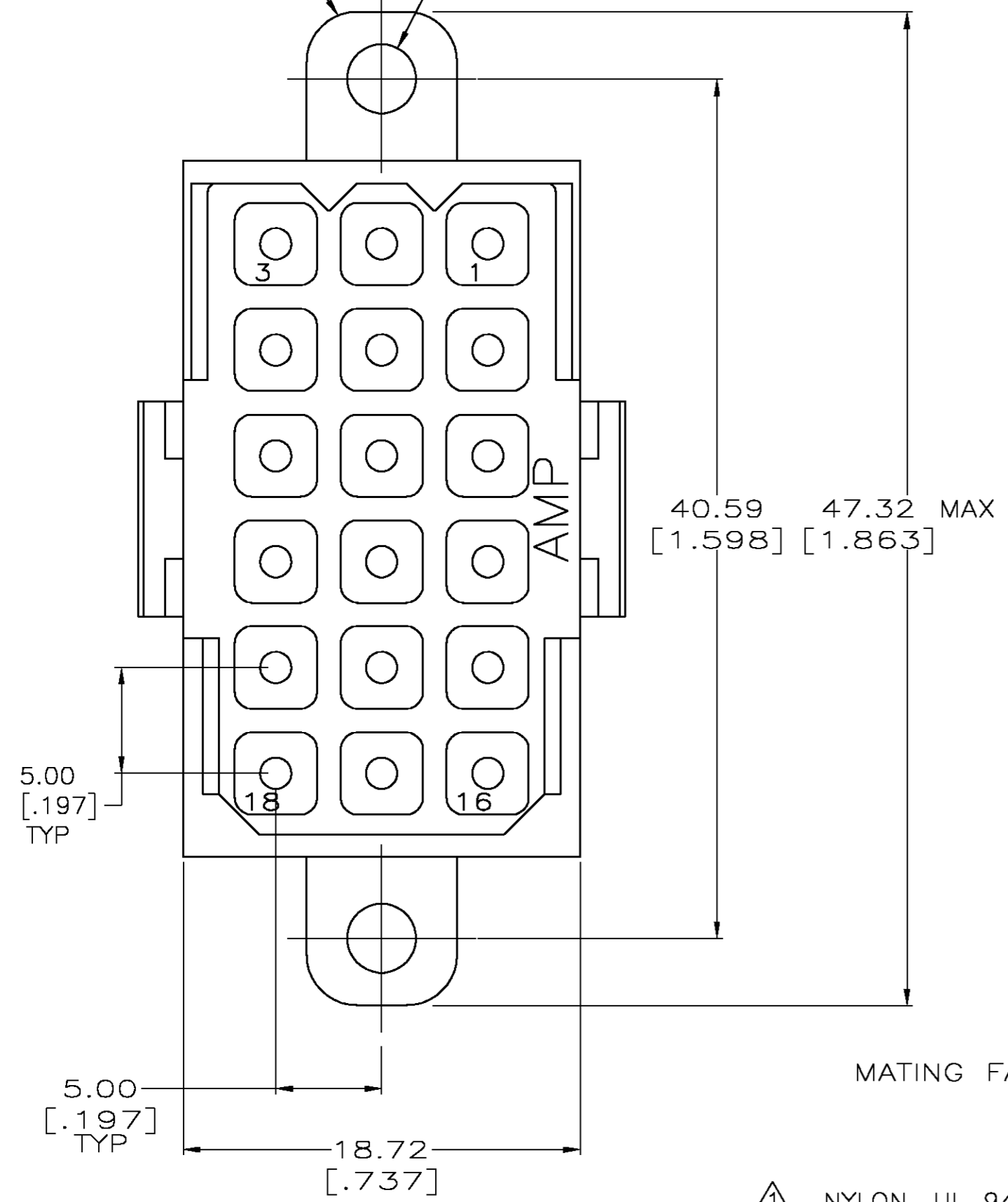


THIS DRAWING IS UNPUBLISHED. RELEASED FOR PUBLICATION  
 © COPYRIGHT BY TYCO ELECTRONICS CORPORATION. ALL RIGHTS RESERVED.

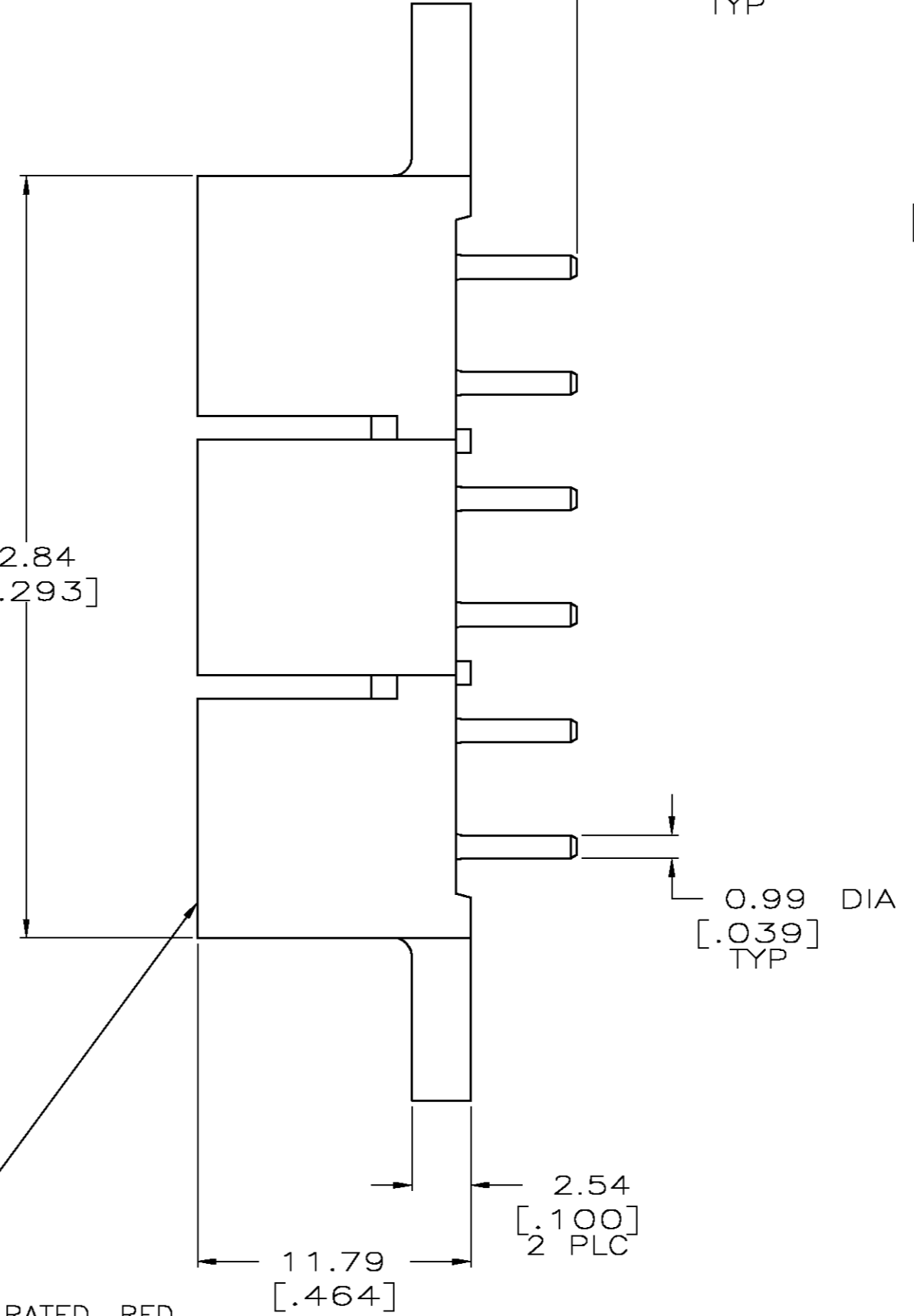
LOC	DIST	REVISIONS					
FT	0	P	LTR	DESCRIPTION	DATE	DWN	APVD
		L		REVISED PER 0G3B-0164-05	3/8/05	SS	GS

MOUNTING TAB  
2 PLC  
SEE TABLE

3.30±0.10 DIA  
[.130±.004]  
2 HOLES

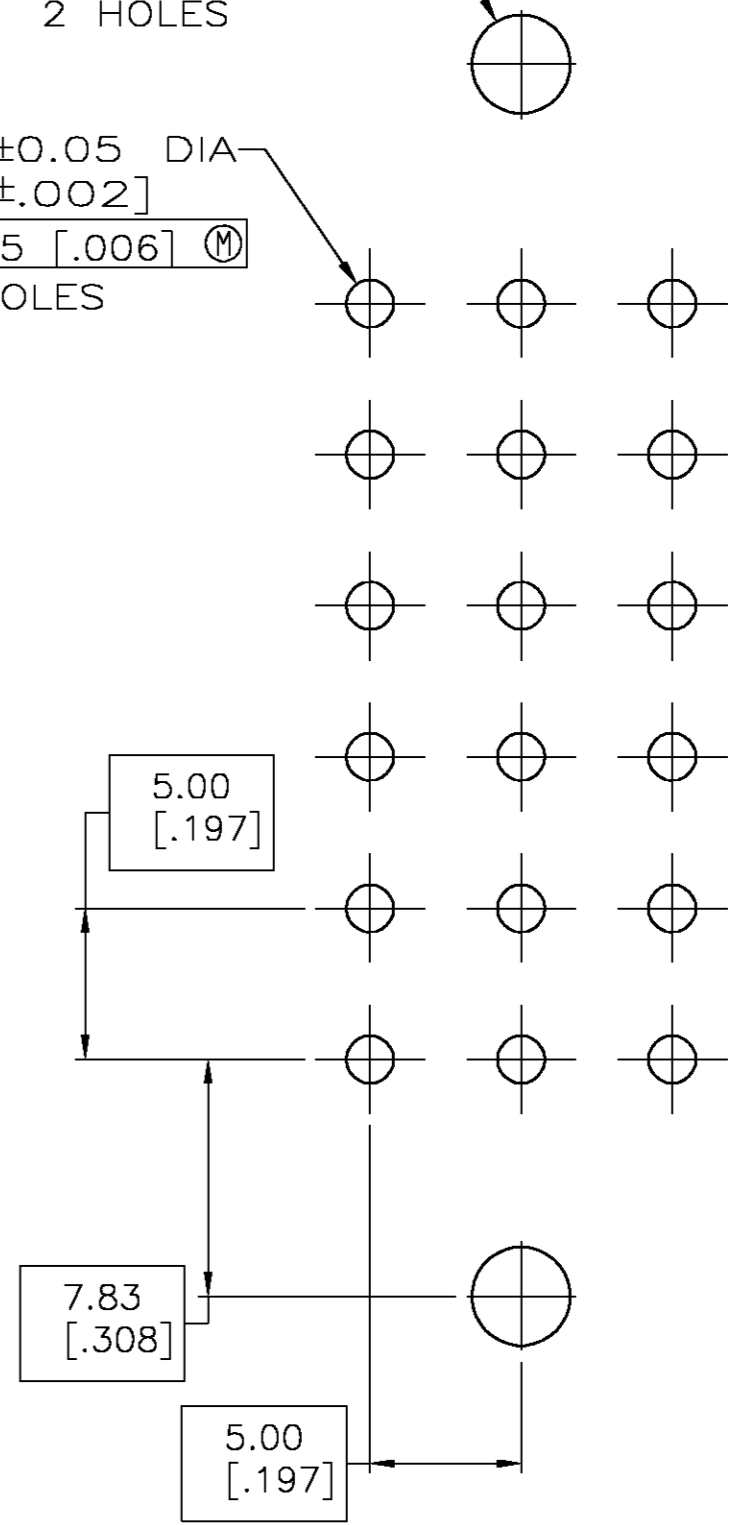


4.60±0.64  
[.181±.025]  
TYP



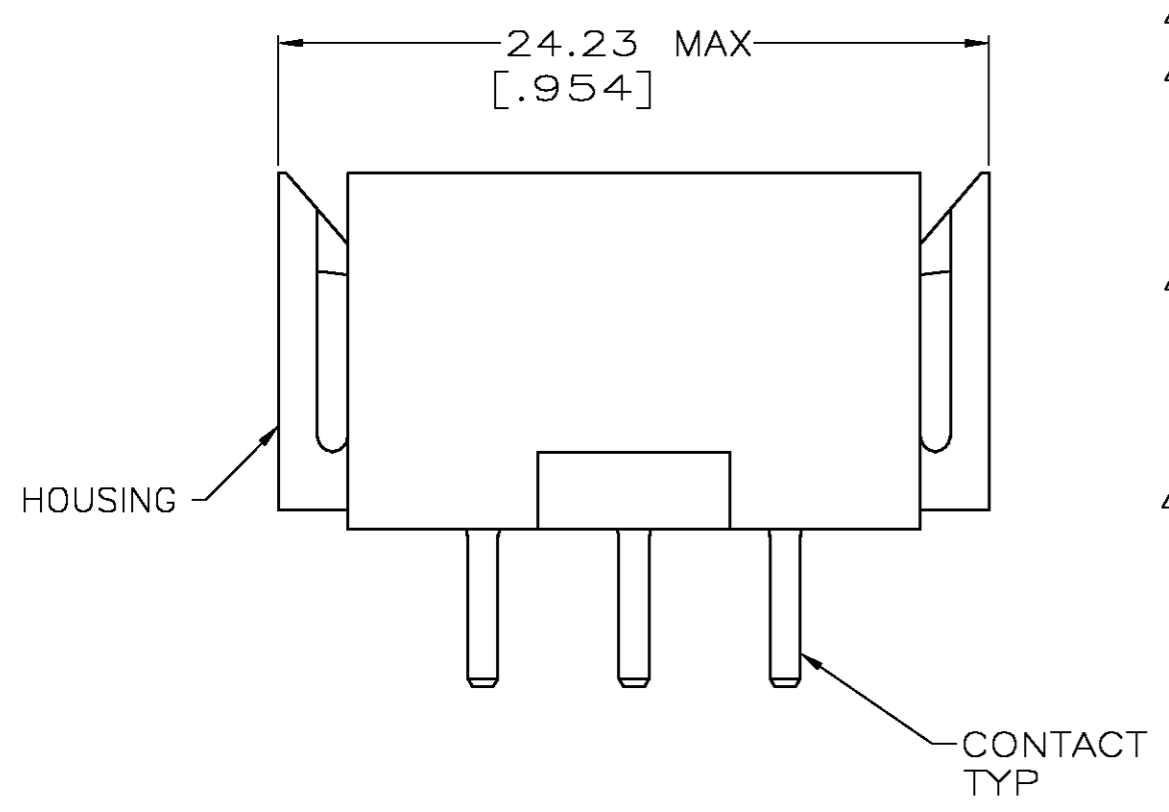
3.30±0.05 DIA  
[.130±.002]  
Ø 0.15 [.006] (M)  
2 HOLES

1.60±0.05 DIA  
[.063±.002]  
Ø 0.15 [.006] (M)  
18 HOLES



RECOMMENDED PC BOARD LAYOUT

- ① NYLON, UL 94V-0 RATED, RED.
- ② BRASS PER ASTM B36.
- ③ 3.81µm [.000150] MIN TIN OVER 2.54µm [.000100] MIN COPPER.
- ④ 0.76µm [.000030] MIN GOLD FOR A LENGTH OF 5.08 [.200] FROM MATING END, 3.81µm [.000150] MIN TIN-LEAD FOR A LENGTH OF 4.83 [.190] MIN FROM OPPOSITE END, BOTH OVER 1.27µm [.000050] MIN NICKEL.
- ⑤ 0.76µm [.000030] MIN GOLD FOR A LENGTH OF 5.08 [.200] FROM MATING END, 3.81µm [.000150] MIN LEAD FREE TIN FOR A LENGTH OF 4.83 [.190] MIN FROM OPPOSITE END, BOTH OVER 1.27µm [.000050] MIN NICKEL.
- ⑥ 3.81µm [.000150] MIN LEAD FREE TIN OVER 2.54µm [.000100] MIN COPPER.



REV	DESCRIPTION	DATE	BY
5	NO	03/11/92	L.SIPE
6	NO	3-17-92	R.STONE
6	YES		A.TRAVIS
5	YES		A.TRAVIS
4	NO		A.TRAVIS
4	YES		A.TRAVIS
3	NO		A.TRAVIS
3	YES		A.TRAVIS

THIS DRAWING IS A CONTROLLED DOCUMENT.		DWN	03/11/92	Tyco Electronics Corporation	
DIMENSIONS: mm [INCHES]		CHK	3-17-92	Harrisburg, Pa 17105-3608	
TOLERANCES UNLESS OTHERWISE SPECIFIED:		APVD	3-17-92	NAME	
0 PLC	± -	A.TRAVIS		PIN HEADER ASSEMBLY, 18 POSITION, METRIMATE	
1 PLC	± -	108-10033		SIZE	
2 PLC	± 0.25 [.010]	APPLICATION SPEC		CAGE CODE	DRAWING NO
3 PLC	± -	MATERIAL		00779	C=207444
4 PLC	± -	FINISH		RESTRICTED TO	
ANGLES	± -	CONTACT: SEE TABLE		-	
HOUSING: 1		WEIGHT		SCALE	
		-		4:1	
		CUSTOMER DRAWING		SHEET 1 OF 1	